

INSTALLATION, OPERATION, AND MAINTENANCE GROTH MODEL 8170 MANOMETER

INSTALLATION:

1. Mount manometer panel on wall or other suitable support.
2. Connect pressure sensing lines to manometer wells with enclosed plastic tubing or 1/4" copper tubing.
3. Fill with indicating fluid with specific gravity of 1.0 by removing pressure connection. Set scale adjustment to zero.

OPERATION:

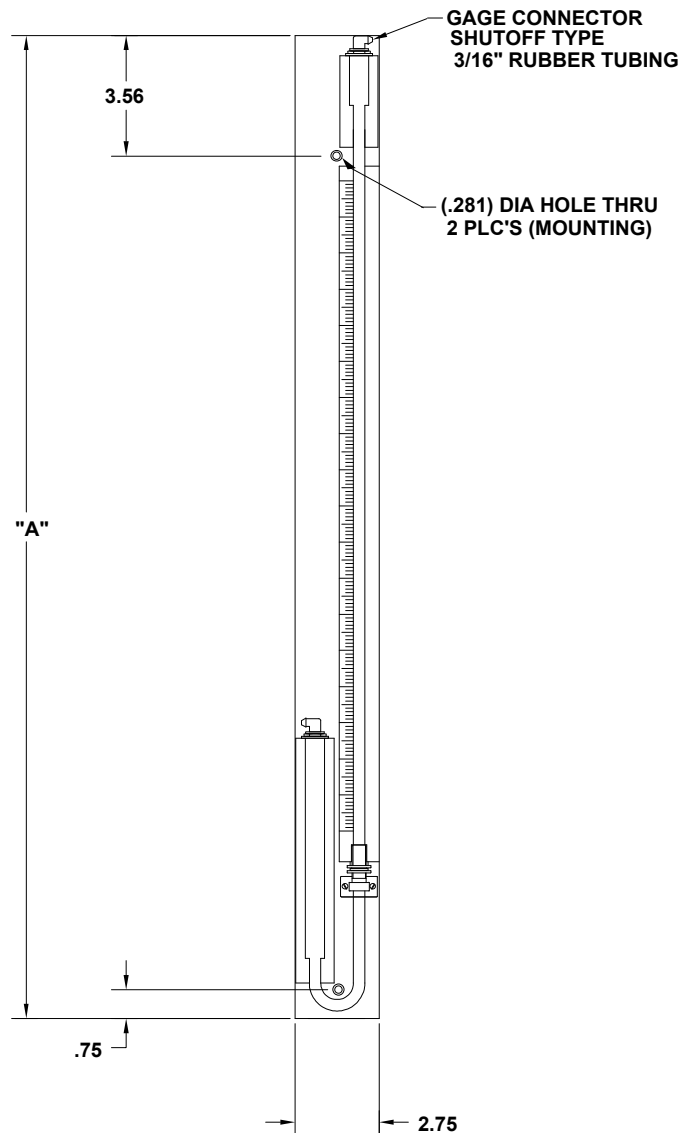
Periodically vent manometer well to atmosphere and adjust zero point if required by adjusting scale or adding fluid.

MAINTENANCE:

Clean tubes and indicator scale as required. Check pressure connection for leaks.

NOTICE:

Please specify model number, serial number and size as shown on the equipment tag when ordering replacement parts.



RANGE	A	
	RED OIL	WATER
0 - 8	16.75	15.19
0 - 12	21.88	19.38
0 - 16	27.00	23.50
0 - 20	32.13	27.56
0 - 24	37.19	32.88
0 - 36	51.25	43.13

NOTE: MAX DEPTH IS 1.50".



IOM 8170.0
November 1994

