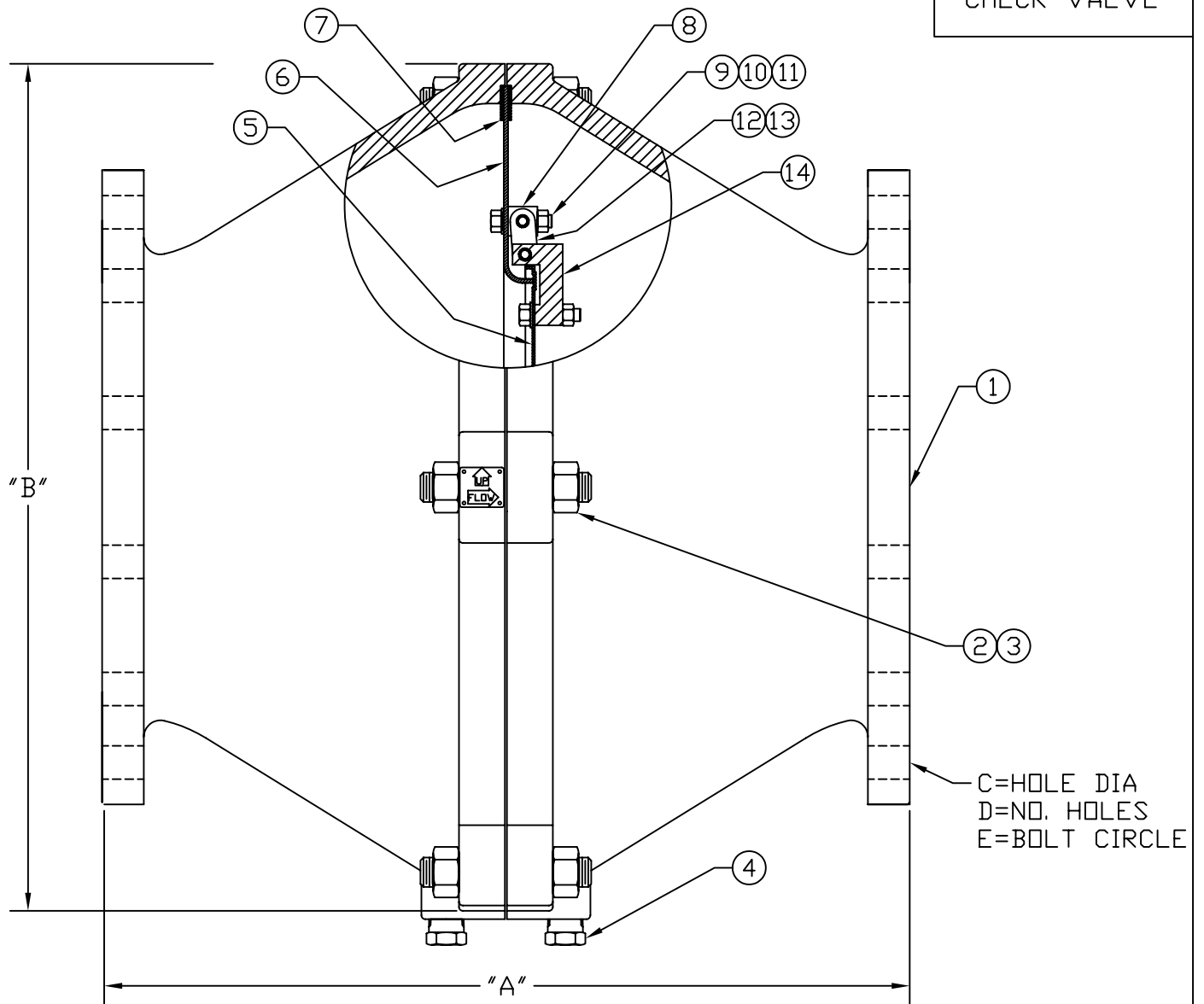


MODEL 8110
BACK PRESSURE
CHECK VALVE



SIZE	"A"	"B"	"C"	"D"	"E"
10"	22.0 (559)	24.75 (629)	.94 (24)	12	14.25 (362)
12"	24.25 (616)	28.62 (727)	.94 (24)	12	17.0 (432)

TAGS AND SPECIFICATIONS

Blank area for tags and specifications.



GROTH CORPORATION
HOUSTON, TEXAS

CERTIFIED

DWG. NO.

C 92153

REVISION: A

DATE: 5-27-99

7/27/2006

GROTH CORPORATION
HOUSTON, TEXAS

BILL OF MATERIALS

ITEM	DESCRIPTION	MATERIAL	SPECIFICATION	SPARE PARTS
1	HOUSING	ALUMINUM	ASTM B26 GR 356-T6	
2	STUD	SS		
3	HEX NUT	SS		
4	HEX PLUG	SS		
5	DISK	ALUMINUM		
6	SEAT P;LATE	ALUMINUM		
7	GASKET	NON-ASBESTOS		X
8	BRACKET, PIVOT	ALUMINUM		
9	HEX BOLT	SS		
10	HEX NUT	SS		
11	FLAT WASHER	TEFLON		X
12	LINK	ALUMINUM		
13	PIN, PIVOT	SS		
14	ARM, PIVOT	ALUMINUM		

DWG NUMBER: C-92153 REV. A
BOM NUMBER: 92153 REV. 0

MODEL: 8110
MATERIAL: ALUMINUM/SS/FEP