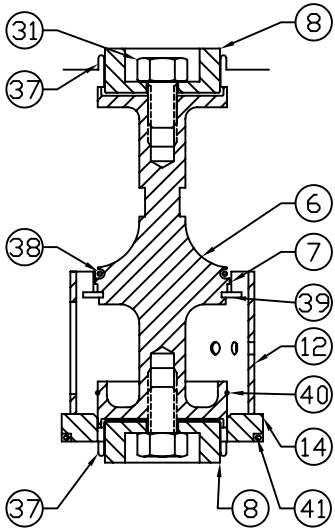
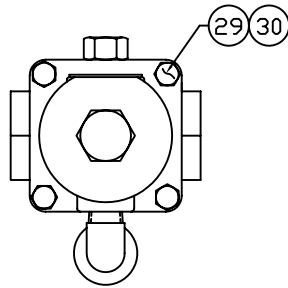


MODEL 3011L
BLANKET GAS REGULATOR
STANDARD

SEE TOP VIEW FOR ORIENTATION

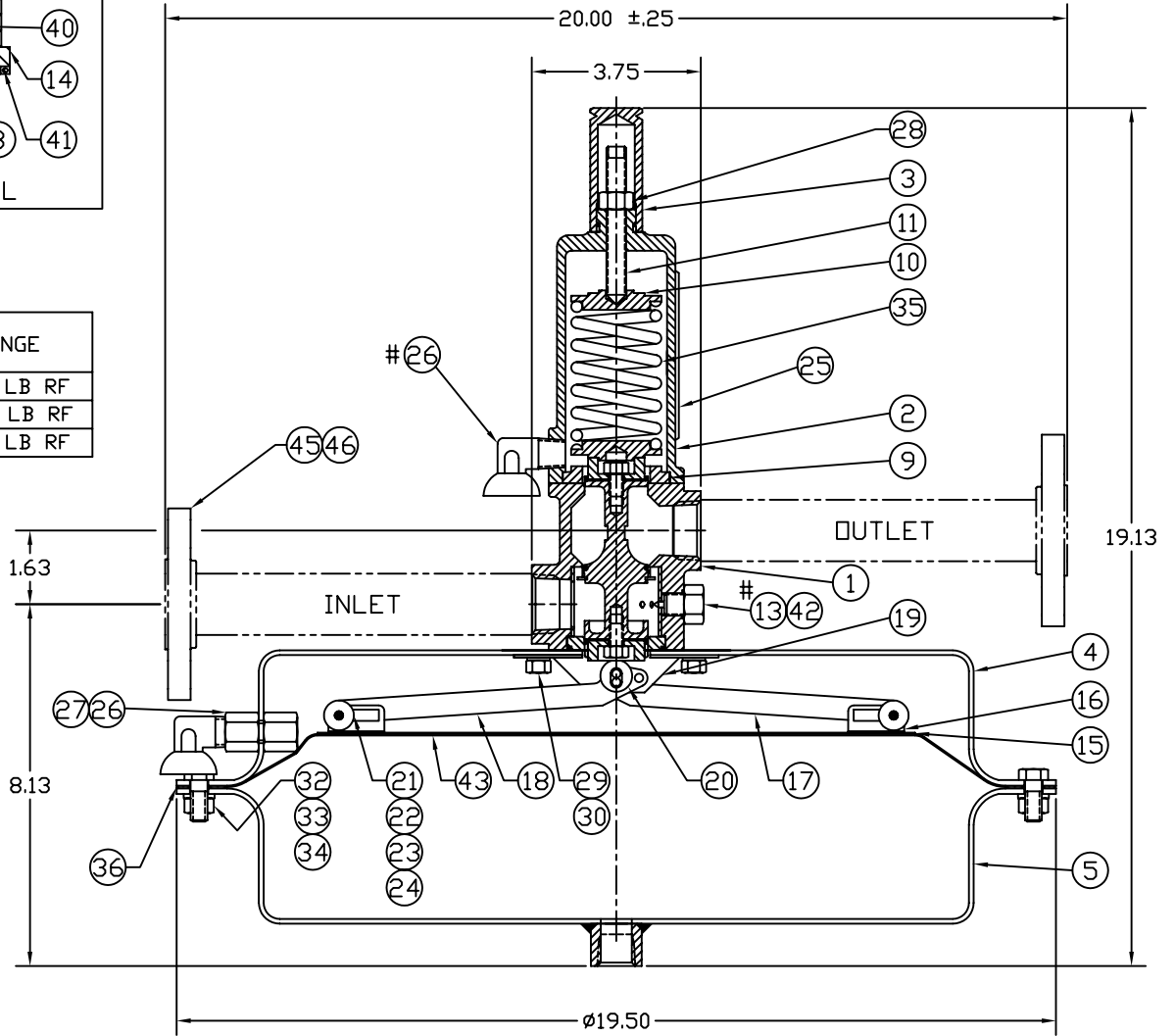


PISTON DETAIL



TOP VIEW

TYPE	FLANGE
STANDARD	1'-150 LB RF
OPTIONAL	2'-150 LB RF
OPTIONAL	1'-300 LB RF



TAGS AND SPECIFICATIONS

THIS DRAWING EMBODIES A CONFIDENTIAL PROPRIETARY DESIGN ORIGINATED BY GROTH CORPORATION, AND ALL DESIGN, MANUFACTURING, REPRODUCTION, USE AND SALE RIGHTS, REGARDING THE SAME ARE EXPRESSLY RESERVED. IT IS SUBMITTED UNDER A CONFIDENTIAL RELATIONSHIP FOR A SPECIFIED PURPOSE, AND THE RECIPIENT AGREES BY ACCEPTING THIS DRAWING NOT TO SUPPLY OR DISCLOSE ANY INFORMATION REGARDING IT TO ANY UNAUTHORIZED PERSONS OR TO INCORPORATE IN OTHER PROJECTS ANY SPECIAL FEATURES PECULIAR TO THIS DESIGN. ALL PATENTS RIGHTS HERETO ARE EXPRESSLY RESERVED BY GROTH CORPORATION, 1202 HAHLO, HOUSTON, TEXAS 77020

REV.	DATE	BY	ECN NO.
A	02-23-01	MP	10190
B	03-23-01	JEL	10200
C	08-23-01	MP	10276
D	10-10-01	JEL	10299



GROTH CORPORATION
a Continental Disc Company

APPROVED BY:

CHECKED BY:

DWG. NO. : C-92428

DATE:

DATE:

DWN BY: MP

ITEM	DESCRIPTION	STANDARD MATERIALS OF CONSTRUCTION	OPTIONAL FEATURES
		316 SS □	□
1	BODY	CF-8M (316 SS)	
2	BONNET, SPRING	CF-8M (316 SS)	
3	CAP, ADJ SCREW	303 SS	
4	HOUSING, ACTUATOR- UPPER	316 SS	
5	HOUSING, ACTUATOR- LOWER	316 SS	
6	PISTON	316 SS	
7	RETAINER, O-RING- PISTON SEAT	316 SS	
8	RETAINER, DIAPHRAGM	316 SS	
9	ADAPTER, BONNET	316 SS	
10	BUTTON, SPRING	316 SS	
11	SCREW, ADJUSTMENT	304 SS	
12	SLEEVE, ORIFICE SELECTOR	316 SS	
13	SCREW, LOCKING- SLEEVE	316 SS	
14	RING, GUIDE- PISTON	316 SS	
15	PLATE, SUPPORT	316 SS	
16	BRACKET	316 SS	
17	ARM, ACTUATOR LINKAGE- INNER	316 SS	
18	ARM, ACTUATOR LINKAGE- OUTER	316 SS	
19	BRACKET, ACTUATOR	316 SS	
20	ROLLER, ACTUATOR	NYLON	
21	ROLLER, ACTUATOR	NYLON	
22	SPACER, ROLLER	TYGON	
23	RIVET, POP	316 SS	
24	PIN, ACTUATOR	316 SS	
25	NAMEPLATE	316 SS	
26	VENT, BONNET	ALUMINUM	
27	CONNECTOR, FEMALE	POLYPROPYLENE	
28	NUT, HEX	SS	
29	BOLT, HEX	SS	
30	WASHER, LOCK	SS	
31	BOLT, HEX	SS	
32	BOLT, HEX	SS	
33	WASHER, LOCK	SS	
34	NUT, HEX	SS	
35	SPRING	316 SS	
36	* GASKET, ACTUATOR (1)	TEFLON® FEP	
37	* DIAPHRAGM, PISTON (2)	VITON	
38	* O-RING, PISTON (2)	VITON	
39	RING, RETAINING	SS	
40	STOP, LIFT	316 SS	
41	* O-RING, GUIDE RING (2)	VITON	
42	* O-RING, LOCKING SCREW (2)	VITON	
43	* DIAPHRAGM, ACTUATOR (1)	TEFLON® FEP	
45	NIPPLE, PIPE	316 SS	
46	FLANGE, RF	316 SS	

* SPARE PARTS

(1) Teflon® is a registered trademark of E.I. Du Pont de Nemours and Co. used under license.
 (2) ELASTOMERS ALSO AVAILABLE IN EPR, BUNA-N & CHEMRAZ.

DWG. NUMBER: C-92428
 BOM NUMBER: 92428bom.xls

Rev. A

