

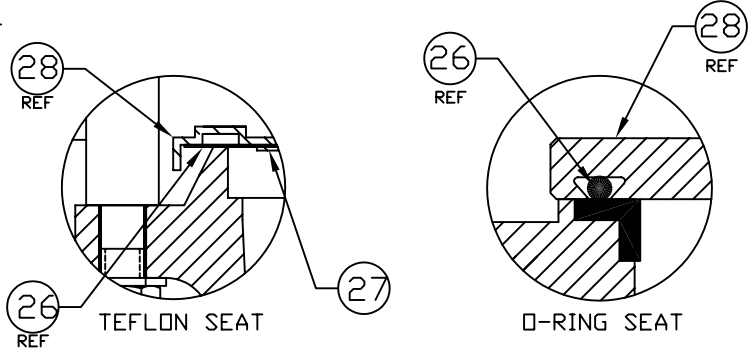
BOM		
ITEM	DESCRIPTION	MATERIAL
1	BODY	AL
2	LOCK WASHER	CD PL CS
3	HEX NUT	CD PL CS
4	WEATHERHOOD POST	316 SS
5	WEATHERHOOD	AL
6	HEX BOLT	CD PL CS
7	LOCK WASHER	CD PL CS
8	HEX NUT	CD PL CS
9	UPPER DIAPHRAGM HOUSING	CS
10	WASHER SUPPORT PLATE	SS
11	FHCS SCREW	SS
12	HEX JAM NUT	SS
13	STEM GUIDE WASHER	303 SS
14	GASKET-SWIVEL FITTING ▲	TEFLON
15	SWIVEL FITTING	304 SS
16	STEM GUIDE	316 SS
17	BUSHING	303 SS
18	STEM	316 SS
19	BELLEVILLE WASHER	302 SS
20	HEX NUT	SS
21	LIFTING LUG	GALV
22	DIAPHRAGM-ACTUATOR ▲	TEFLON
23	GASKET-ACTUATOR ▲	TEFLON
24	SUPPORT PLATE	316 SS
25	LOWER DIAPHRAGM CASE	CS
26	SEAL-SEAT PLATE ▲	TEFLON
* 27	RETAINER PLATE	316 SS
28	PRESSURE SEAT PLATE	316 SS
29	VENT COVER	AL
30	STUD	CD PL CS
31	LOCK WASHER	CD PL CS
32	HEX NUT	CD PL CS
33	GASKET ▲	NON-ASB
34	GUIDE ROD	316 SS
35	STEM	316 SS
36	LOCK WASHER	SS
37	HEX NUT	SS
38	DIAPHRAGM ▲	TEFLON
39	RETAINER PLATE	316 SS
40	SPUN PALLET	316 SS

C=DIA OF HOLES
D=NO OF HOLES
E=BOLT CIRCLE DIA

MODEL 1500
AIR OPERATED VENT

- ▲ RECOMMENDED SPARE PARTS.
- * ITEM 27 USED ON TEFLON TYPE SEAT ONLY

SIZE	FLANGE DRILLING	A	B	C	D	E
2"	150#	13.50	17.94	.75	4	4.75
3"	150#	17.75	19.44	.75	4	6.00
4"	150#	19.50	20.69	.75	8	7.50
6"	150#	26.50	24.44	.88	8	9.50
8"	150#	31.50	30.44	.88	8	11.75
10"	150#	37.00	34.19	1.00	12	14.25
12"	150#	40.50	38.44	1.00	12	17.00



"DETAIL"

TAGS AND SPECIFICATIONS



GROTH CORPORATION
HOUSTON, TEXAS

CERTIFIED

DWG. NO. C-84266

REVISION:

DATE: