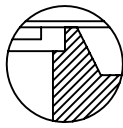
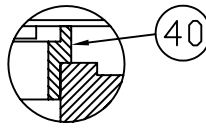


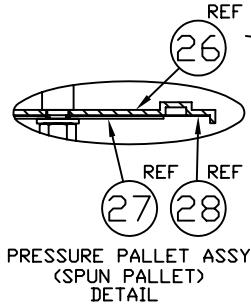
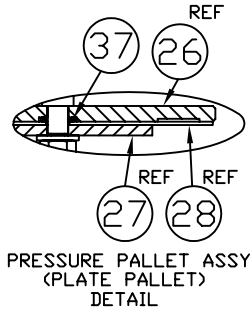
MODEL 1222B
PRESSURE/VACUUM RELIEF VENT
SPRING LOADED



STANDARD SEAT
DETAIL

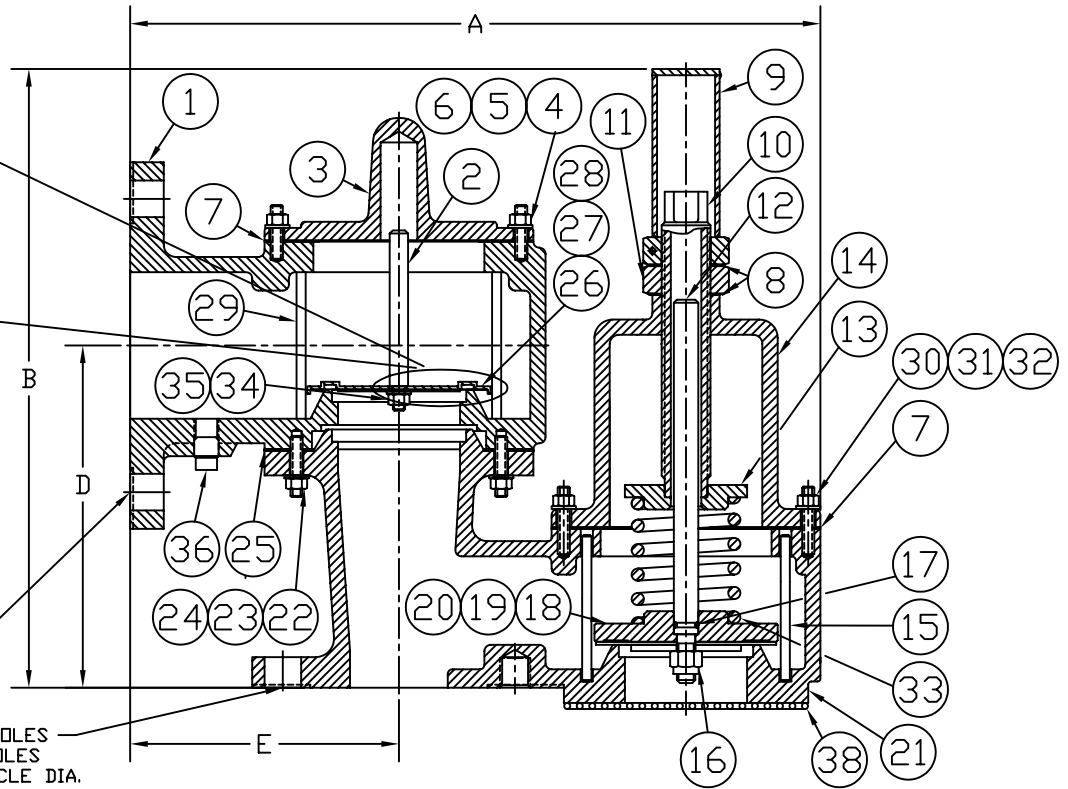


SEAT RING INSERT
DETAIL



J=DIA. OF HOLES
K=NO. OF HOLES
L=BOLT CIRCLE DIA.

F=DIA. OF HOLES
G=NO. OF HOLES
H=BOLT CIRCLE DIA.



SIZE	FLANGE DRILLING	A	B	C	D	E	F	G	H	J	K	L
2' x 3'	150#	14.25	13.75	7.50	7.00	5.50	.75	4	4.75	.75	4	6.00
3' x 4'	150#	18.00	16.25	9.00	8.13	6.00	.75	4	6.00	.75	8	7.50
4' x 6'	150#	19.25	19.88	11.00	9.50	6.50	.75	8	7.50	.88	8	9.50
6' x 8'	150#	26.50	27.00	13.50	12.75	8.50	.88	8	9.50	.88	8	11.75
8' x 10'	150#	32.50	31.88	16.00	15.25	10.75	.88	8	11.75	1.00	12	14.25
10' x 12'	150#	37.75	37.88	19.00	18.00	12.50	1.00	12	14.25	1.00	12	17.00
12' X 14'	150#	42.75	42.00	21.00	20.63	15.00	1.00	12	17.00	1.13	12	18.75

NOTE: C DIM. (NOT SHOWN) IS MAX. WIDTH.

TAGS AND SPECIFICATIONS



GROTH CORPORATION
HOUSTON, TEXAS

CERTIFIED

DWG. NO. C-83778

REVISION: N

DATE: 3/1/95

ITEM NAME	MATL	SPEC
1 OUTLET	ALUM	ASTM B26 GR356
2 STEM - PRESSURE	316 SS	ASTM A276
3 COVER	ALUM	ASTM B26 GR356
4 HEX NUT	CD PL CS	
5 LOCK WASHER	CD PL CS	
6 STUD	CD PL CS	
7 GASKET	NON-ASB	
8 GASKET-CAP	SS	
9 CAP	ALUM	ASTM B26 GR356
10 ADJUSTMENT SCREW	316 SS	ASTM A511
11 JAM NUT	SS	
12 STEM-VACUUM	316 SS	ASTM A-276
13 SPRING BUTTON	CD PL CS	ASTM A575/A108
14 SPRING CHAMBER	ALUM	ASTM B26 GR356
15 GUIDE POST-VACUUM	316 SS	ASTM A276
16 HEX LOCK NUT	316 SS	
17 O-RING	VITON	(70 DUROMETER)
18 PALLET-VACUUM	316 SS	ASTM A276
19 RETAINER PLATE-VAC	316 SS	ASTM A240
20 DIAPHRAGM-VACUUM	TEFLON	FEP
21 BODY	CS	ASTM A216 WCB
22 HEX NUT	CD PL CS	
23 LOCK WASHER	CD PL CS	
24 STUD	CD PL CS	
25 GASKET	NON-ASB	
26 PALLET-PRESSURE	316 SS	ASTM A276
27 RETAINER PLATE-PRESS	316 SS	ASTM A240
28 DIAPHRAGM-PRESSURE	TEFLON	FEP
29 GUIDE POST-PRESS	316 SS	ASTM A276
30 HEX NUT	CD PL CS	
31 LOCK WASHER	CD PL CS	
32 STUD	CD PL CS	
33 SPRING	CS/TCTYL	ASTM A125
34 HEX HUT	316 SS	
35 LOCK WASHER	316 SS	
36 PLUG	CD PL CS	
37 O-RING(PALLET PALLET)	VITON	70 DUROMETER
38 SCREEN	SS	
39 NOT USED		
40 SEAT RING	NOT USED	

DWG NUMBER: C83778
BOM NUMBER: 83778000 REV 2

MATERIAL: ALUMINUM
MODEL: 1222B