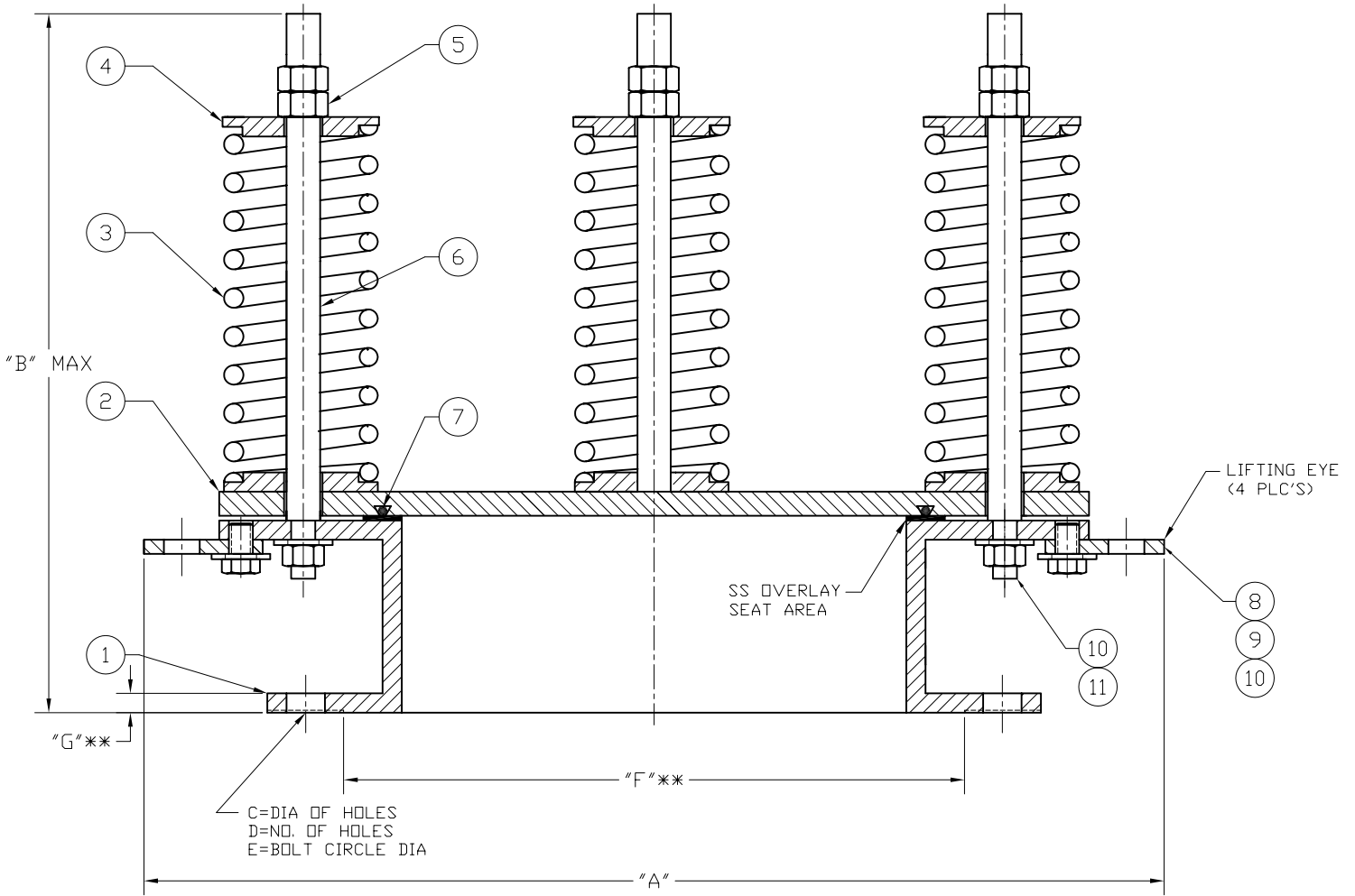


MODEL 2100
EMERGENCY
PRESSURE RELIEF VENT



SIZE	FLANGE DRILLING	A		B		C		D qty.	E		F**		G**	
		In.	mm	In.	mm	In.	mm		In.	mm	In.	mm	In.	mm
16"	150 LB	36.75	933	23.00	584	1.13	29	16	21.25	540	18.50	470	.50	13
20"	150 LB	36.75	933	23.00	584	1.25	32	20	25.00	635	23.00	584	.63	16
	API 650	36.75	933	23.00	584	.75	19	16	23.50	597	-	-	-	-
24"	150 LB	40.75	1035	27.00	686	1.38	35	20	29.50	749	27.25	692	.63	16
	API 650	40.75	1035	27.00	686	.75	19	20	27.50	699	-	-	-	-

** RAISED FACE DIAMETER, IF REQUIRED

TAGS AND SPECIFICATIONS

THIS DRAWING EMBODIES A CONFIDENTIAL PROPRIETARY DESIGN ORIGINATED BY GROTH CORPORATION, AND ALL DESIGN, MANUFACTURING, REPRODUCTION, USE AND SALE RIGHTS, REGARDING THE SAME ARE EXPRESSLY RESERVED. IT IS SUBMITTED UNDER A CONFIDENTIAL RELATIONSHIP FOR A SPECIFIED PURPOSE, AND THE RECIPIENT AGREES BY ACCEPTING THIS DRAWING NOT TO SUPPLY OR DISCLOSE ANY INFORMATION REGARDING IT TO ANY UNAUTHORIZED PERSONS OR TO INCORPORATE IN OTHER PROJECTS ANY SPECIAL FEATURES PECULIAR TO THIS DESIGN. ALL PATENTS RIGHTS HERETO ARE EXPRESSLY RESERVED BY GROTH CORPORATION, 1202 HAHLD, HOUSTON, TEXAS 77020

REV.	DATE	BY	ECN NO.
A	10-17-01	MP	10276
B	11/15/04	GS	10793



GROTH CORPORATION
a Continental Disc Company

APPROVED BY: M.A.	CHECKED BY: G.S.	DWG. NO.: C-91726
DATE: 10/31/01	DATE: 10/31/01	DWN BY: --

MODEL 2100

BILL OF MATERIAL

ITEM	DESCRIPTION	STANDARD MATERIALS OF CONSTRUCTION		OPTIONAL FEATURES
		CARBON STL	316 SS	
		<input type="checkbox"/>	<input type="checkbox"/>	<input type="checkbox"/>
1	BODY (1)	CS	316 SS	
2	COVER	CS	316 SS	
3	SPRING (2)	CS	17-7 PH SS	
4	BUTTON, SPRING	CS	316 SS	
5	NUT, HEX	SS	SS	
6	SCREW, ADJUSTMENT	316 SS	316 SS	
7	* O-RING, COVER (3)	VITON	VITON	
8	EYE, LIFTING	CS	316 SS	
9	BOLT, HEX	SS	SS	
10	WASHER, LOCK	SS	SS	
11	NUT, HEX	SS	SS	

* SPARE PARTS

(1) 316 SS SEAT OVERLAY ON C.S. BODY

(2) ALTERNATE SPRING MATERIAL: CS UNITS - CHROME SILICON
316 UNITS - 17-4 PH SS

(3) ELASTOMERS ALSO AVAILABLE IN AFLAS, BUNA-N, EPR & KALREZ

DWG. NUMBER:
BOM NUMBER:

C-91726
91726BOM.XLS

REV.

