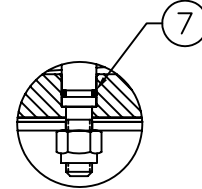
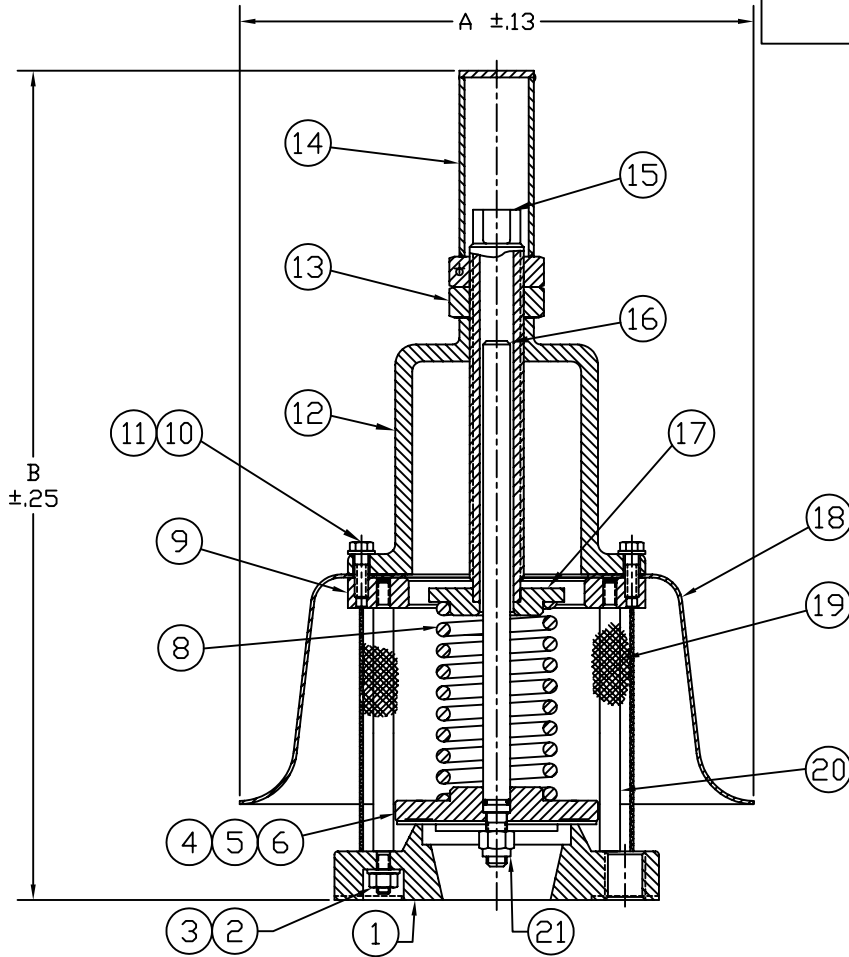


MODEL 2301A  
PRESSURE RELIEF VENT  
SPRING LOADED



PRESSURE  
PALLET ASSEMBLY  
DETAIL

SIZE	A		B	
	In.	mm	In.	mm
2"	9.50	241	16.38	416
3"	13.00	330	18.00	457
4"	13.00	330	22.38	568
6"	19.50	495	31.75	806
8"	23.50	567	36.25	921
10"	25.50	648	41.38	1051
12"	25.50	648	42.25	1073

NOTES:

- SEE DWG. C-92526 FOR ANSI, PN10/PN16 & JIS 10K DRILLING PATTERNS.

TAGS AND SPECIFICATIONS

THIS DRAWING EMBODIES A CONFIDENTIAL PROPRIETARY DESIGN ORIGINATED BY GROTH CORPORATION, AND ALL DESIGN, MANUFACTURING, REPRODUCTION, USE AND SALE RIGHTS, REGARDING THE SAME ARE EXPRESSLY RESERVED. IT IS SUBMITTED UNDER A CONFIDENTIAL RELATIONSHIP FOR A SPECIFIED PURPOSE, AND THE RECIPIENT AGREES BY ACCEPTING THIS DRAWING NOT TO SUPPLY OR DISCLOSE ANY INFORMATION REGARDING IT TO ANY UNAUTHORIZED PERSONS OR TO INCORPORATE IN OTHER PROJECTS ANY SPECIAL FEATURES PECULIAR TO THIS DESIGN. ALL PATENTS RIGHTS HERETO ARE EXPRESSLY RESERVED BY GROTH CORPORATION, 1202 HAHLO, HOUSTON, TEXAS 77020

REV.	DATE	BY	ECN NO.
F	10-18-01	MP	10276



GROTH CORPORATION  
a Continental Disc Company

APPROVED BY:

CHECKED BY:

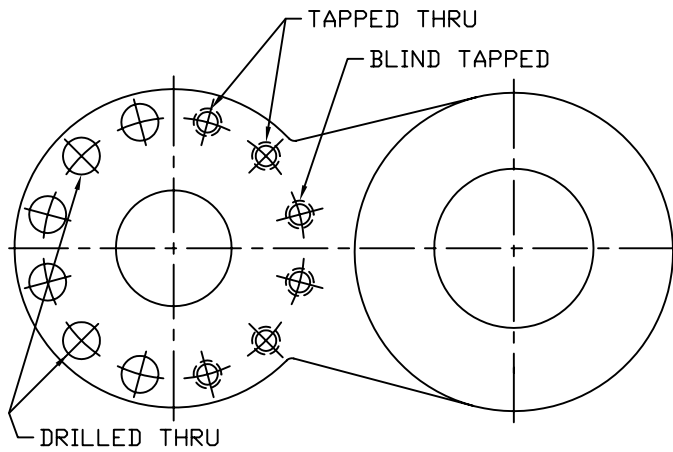
DWG. NO. : C-83846

DATE:

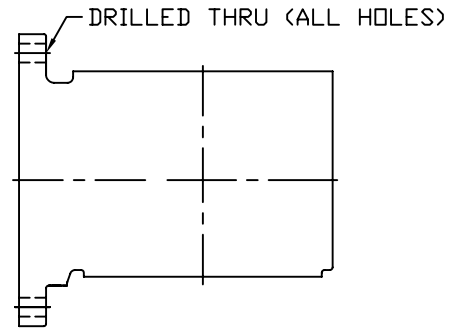
DATE:

DWN BY: --

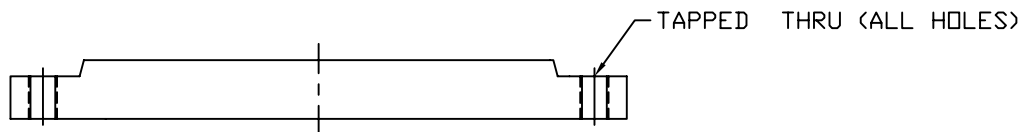
1200A SERIES  
FLANGE DRILLING DIMENSION TABLES  
(ANSI 150#, DIN PN10/16, JIS 10K)



INLET FLANGE  
(VIEWED FROM BOTTOM)  
MODELS: 1200A, 1220A, 1300A  
1201B, 1221B, 1301A



OUTLET FLANGE  
MODELS: 1220A, 1260A, 1360A  
1221B, 1261A, 1361A



BODY  
MODELS: 2300A & 2301A

DRILLED HOLES

SIZE	FLANGE DRILLING	HOLE DIA.		TAPPED HOLE	NO. OF HOLES	BOLT CIRCLE DIA.	
		in	mm			in	mm
2"	ANSI 150#	.75	19	5/8-11 UNC-2B	4	4.75	121
3"	ANSI 150#	.75	19	5/8-11 UNC-2B	4	6.00	152
4"	ANSI 150#	.75	19	5/8-11 UNC-2B	8	7.50	191
6"	ANSI 150#	.88	22	3/4-10 UNC-2B	8	9.50	241
8"	ANSI 150#	.88	22	3/4-10 UNC-2B	8	11.75	298
10"	ANSI 150#	1.00	25	7/8-9 UNC-2B	12	14.25	362
12"	ANSI 150#	1.00	25	7/8-9 UNC-2B	12	17.00	432
14"	ANSI 150#	1.13	29	1 -12 UNC-2B	12	18.75	476

SIZE	FLANGE DRILLING	HOLE DIA.		TAPPED HOLE	NO. OF HOLES	BOLT CIRCLE DIA.	
		in	mm			in	mm
2"	JIS 10K	.75	19	M16 x 2.0-6H	4	4.72	120
3"	JIS 10K	.75	19	M16 x 2.0-6H	8	5.91	150
4"	JIS 10K	.75	19	M16 x 2.0-6H	8	6.89	175
6"	JIS 10K	.91	23	M20 x 2.5-6H	8	9.45	240
8"	JIS 10K	.91	23	M20 x 2.5-6H	12	11.42	290
10"	JIS 10K	.98	25	M22 x 2.5-6H	12	13.98	355
12"	JIS 10K	.98	25	M22 x 2.5-6H	16	15.75	400
14"	JIS 10K	.98	25	M22 x 2.5-6H	16	17.52	445

SIZE	FLANGE DRILLING	HOLE DIA.		TAPPED HOLE	NO. OF HOLES	BOLT CIRCLE DIA.	
		in	mm			in	mm
2"	PN 10	.71	18	M16 x 2.0-6H	4	4.92	125
3"	PN 10	.71	18	M16 x 2.0-6H	8	6.30	160
4"	PN 10	.71	18	M16 x 2.0-6H	8	7.09	180
6"	PN 10	.87	22	M20 x 2.5-6H	8	9.45	240
8"	PN 10	.87	22	M20 x 2.5-6H	8	11.61	295
10"	PN 10	.87	22	M20 x 2.5-6H	12	13.78	350
12"	PN 10	.87	22	M20 x 2.5-6H	12	15.75	400
14"	PN 10	.87	22	M20 x 2.5-6H	16	18.11	460

SIZE	FLANGE DRILLING	HOLE DIA.		TAPPED HOLE	NO. OF HOLES	BOLT CIRCLE DIA.	
		in	mm			in	mm
2"	PN 16	.71	18	M16 x 2.0-6H	4	4.92	125
3"	PN 16	.71	18	M16 x 2.0-6H	8	6.30	160
4"	PN 16	.71	18	M16 x 2.0-6H	8	7.09	180
6"	PN 16	.87	22	M20 x 2.5-6H	8	9.45	240
8"	PN 16	.87	22	M20 x 2.5-6H	12	11.61	295
10"	PN 16	1.02	26	M24 x 3.0-6H	12	13.98	355
12"	PN 16	1.02	26	M24 x 3.0-6H	12	16.14	410
14"	PN 16	1.02	26	M24 x 3.0-6H	16	18.50	470

THIS DRAWING EMBODIES A CONFIDENTIAL PROPRIETARY DESIGN ORIGINATED BY GROTH CORPORATION, AND ALL DESIGN, MANUFACTURING, REPRODUCTION, USE AND SALE RIGHTS, REGARDING THE SAME ARE EXPRESSLY RESERVED. IT IS SUBMITTED UNDER A CONFIDENTIAL RELATIONSHIP FOR A SPECIFIED PURPOSE, AND THE RECIPIENT AGREES BY ACCEPTING THIS DRAWING NOT TO SUPPLY OR DISCLOSE ANY INFORMATION REGARDING IT TO ANY UNAUTHORIZED PERSONS OR TO INCORPORATE IN OTHER PROJECTS ANY SPECIAL FEATURES PECULIAR TO THIS DESIGN. ALL PATENTS RIGHTS HERETO ARE EXPRESSLY RESERVED BY GROTH CORPORATION, 1202 HAHLO, HOUSTON, TEXAS 77020

REV.	DATE	BY	ECN NO.
A	08-22-01	ESQ	10276



GROTH CORPORATION  
a Continental Disc Company

APPROVED BY:	CHECKED BY:	DWG. NO. : C-92526
DATE:	DATE:	DWN BY: ESQUINTERO

ITEM	DESCRIPTION	STANDARD MATERIALS OF CONSTRUCTION			OPTIONAL FEATURES
		ALUMINUM <input type="checkbox"/>	CARBON STL <input type="checkbox"/>	316 SS <input type="checkbox"/>	
1	BODY	AL GR 356 T6	CS WCB	CF-8M (316 SS)	
2	WASHER, LOCK	SS	SS	SS	
3	NUT, HEX	SS	SS	SS	
4	PALLET, PRESSURE	316 SS	316 SS	316 SS	
5	* DIAPHRAGM, PRESSURE (1)	Teflon® FEP	Teflon® FEP	Teflon® FEP	
6	PLATE, RETAINER (PRESSURE)	316 SS	316 SS	316 SS	
7	* O-RING, STEM (2)	VITON	VITON	VITON	
8	SPRING (3)	CS	CS	17-7 PH SS	
9	PLATE, SUPPORT	CS	CS	316 SS	
10	BOLT, HEX	SS	SS	SS	
11	WASHER, LOCK	SS	SS	SS	
12	CHAMBER, SPRING	AL GR 356 T6	CS WCB	CF-8M (316 SS)	
13	NUT, HEX JAM	SS	SS	SS	
14	CAP	CS	CS	316 SS	
15	SCREW, ADJUSTMENT	316 SS	316 SS	316 SS	
16	STEM, PRESSURE	316 SS	316 SS	316 SS	
17	BUTTON, SPRING	316 SS	316 SS	316 SS	
18	WEATHERHOOD	ALUM	CS	316 SS	
19	SCREEN	316 SS	316 SS	316 SS	
20	POST, WEATHERHOOD	316 SS	316 SS	316 SS	
21	NUT, LOCK	SS	SS	SS	
22	INSERT, SEAT (4) NOT SHOWN	OPTIONAL	316 SS	N.A.	

\* SPARE PARTS

(1) Teflon® is a registered trademark of E.I. du Pont de Nemours and Co. used under license.

(3) ELASTOMERS ALSO AVAILABLE IN AFLAS, BUNA-N, EPR & KALREZ

(3) ALTERNATE SPRING MATERIALS: AL/CS UNITS - CHROME SILICON & 5160;  
316 SS UNITS - 17-4 PH SS

(4) OPTIONAL SEAT: AL UNITS - BONDED; CS UNITS - WELDED

DWG. NUMBER:  
BOM NUMBER:

C-83846  
83846BOM.XLS

