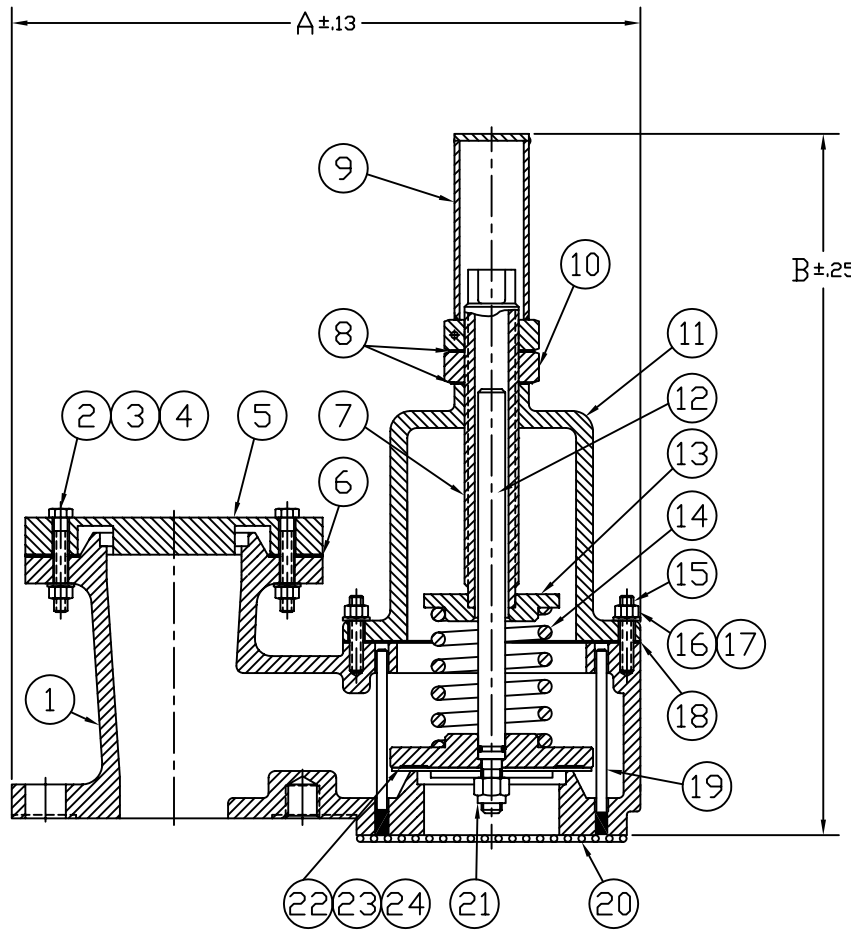


MODEL 1301A
VACUUM RELIEF VENT
SPRING LOADED



NOTES:

1. "C" DIMENSION (NOT SHOWN) IS MAX. WIDTH.
2. SEE DWG. C-92526 FOR ANSI, PN10/PN16 & JIS 10K DRILLING PATTERNS.

SIZE	A		B		C	
	in	mm	in	mm	in	mm
2"	11.63	295	13.50	343	6.00	152
3"	15.63	397	16.00	406	7.75	197
4"	17.25	438	16.63	422	9.00	229
6"	23.50	597	27.75	705	12.00	305
8"	28.50	724	32.50	826	14.50	368
10"	33.00	838	37.25	946	16.50	419
12"	37.25	946	41.13	1045	19.00	483

TAGS AND SPECIFICATIONS

THIS DRAWING EMBODIES A CONFIDENTIAL PROPRIETARY DESIGN ORIGINATED BY GROTH CORPORATION, AND ALL DESIGN, MANUFACTURING, REPRODUCTION, USE AND SALE RIGHTS, REGARDING THE SAME ARE EXPRESSLY RESERVED. IT IS SUBMITTED UNDER A CONFIDENTIAL RELATIONSHIP FOR A SPECIFIED PURPOSE, AND THE RECIPIENT AGREES BY ACCEPTING THIS DRAWING NOT TO SUPPLY OR DISCLOSE ANY INFORMATION REGARDING IT TO ANY UNAUTHORIZED PERSONS OR TO INCORPORATE IN OTHER PROJECTS ANY SPECIAL FEATURES PECULIAR TO THIS DESIGN. ALL PATENTS RIGHTS HERETO ARE EXPRESSLY RESERVED BY GROTH CORPORATION, 1202 HAHLO, HOUSTON, TEXAS 77020

REV.	DATE	BY	ECN NO.
F	8-22-01	ESQ	10276



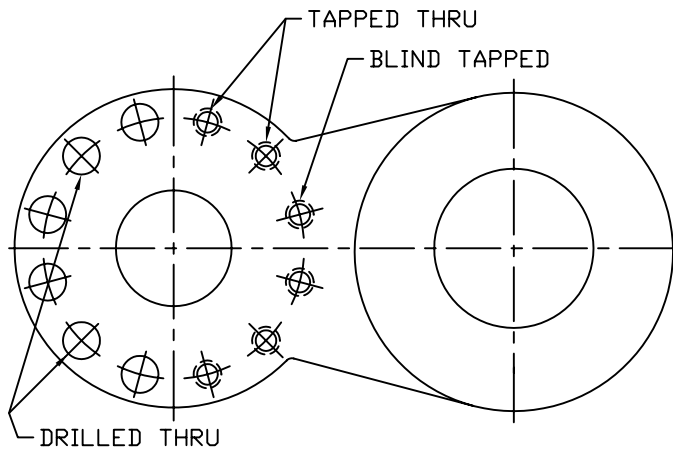
GROTH CORPORATION
a Continental Disc Company

APPROVED BY:
DATE:

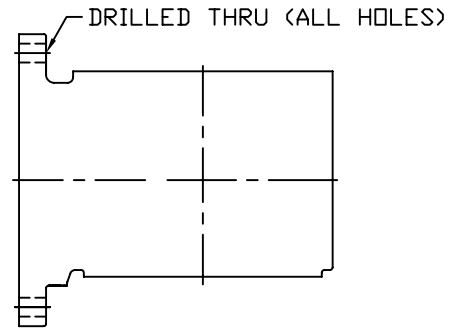
CHECKED BY:
DATE:

DWG. NO. : C-83775
DWN BY: ES QUINTERO

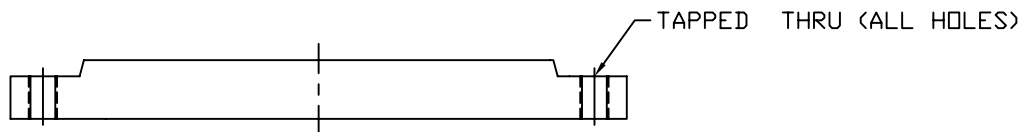
1200A SERIES
FLANGE DRILLING DIMENSION TABLES
(ANSI 150#, DIN PN10/16, JIS 10K)



INLET FLANGE
(VIEWED FROM BOTTOM)
MODELS: 1200A, 1220A, 1300A
1201B, 1221B, 1301A



OUTLET FLANGE
MODELS: 1220A, 1260A, 1360A
1221B, 1261A, 1361A



BODY
MODELS: 2300A & 2301A

DRILLED HOLES

SIZE	FLANGE DRILLING	HOLE DIA.		TAPPED HOLE	NO. OF HOLES	BOLT CIRCLE DIA.	
		in	mm			in	mm
2"	ANSI 150#	.75	19	5/8-11 UNC-2B	4	4.75	121
3"	ANSI 150#	.75	19	5/8-11 UNC-2B	4	6.00	152
4"	ANSI 150#	.75	19	5/8-11 UNC-2B	8	7.50	191
6"	ANSI 150#	.88	22	3/4-10 UNC-2B	8	9.50	241
8"	ANSI 150#	.88	22	3/4-10 UNC-2B	8	11.75	298
10"	ANSI 150#	1.00	25	7/8-9 UNC-2B	12	14.25	362
12"	ANSI 150#	1.00	25	7/8-9 UNC-2B	12	17.00	432
14"	ANSI 150#	1.13	29	1 -12 UNC-2B	12	18.75	476

SIZE	FLANGE DRILLING	HOLE DIA.		TAPPED HOLE	NO. OF HOLES	BOLT CIRCLE DIA.	
		in	mm			in	mm
2"	JIS 10K	.75	19	M16 x 2.0-6H	4	4.72	120
3"	JIS 10K	.75	19	M16 x 2.0-6H	8	5.91	150
4"	JIS 10K	.75	19	M16 x 2.0-6H	8	6.89	175
6"	JIS 10K	.91	23	M20 x 2.5-6H	8	9.45	240
8"	JIS 10K	.91	23	M20 x 2.5-6H	12	11.42	290
10"	JIS 10K	.98	25	M22 x 2.5-6H	12	13.98	355
12"	JIS 10K	.98	25	M22 x 2.5-6H	16	15.75	400
14"	JIS 10K	.98	25	M22 x 2.5-6H	16	17.52	445

SIZE	FLANGE DRILLING	HOLE DIA.		TAPPED HOLE	NO. OF HOLES	BOLT CIRCLE DIA.	
		in	mm			in	mm
2"	PN 10	.71	18	M16 x 2.0-6H	4	4.92	125
3"	PN 10	.71	18	M16 x 2.0-6H	8	6.30	160
4"	PN 10	.71	18	M16 x 2.0-6H	8	7.09	180
6"	PN 10	.87	22	M20 x 2.5-6H	8	9.45	240
8"	PN 10	.87	22	M20 x 2.5-6H	8	11.61	295
10"	PN 10	.87	22	M20 x 2.5-6H	12	13.78	350
12"	PN 10	.87	22	M20 x 2.5-6H	12	15.75	400
14"	PN 10	.87	22	M20 x 2.5-6H	16	18.11	460

SIZE	FLANGE DRILLING	HOLE DIA.		TAPPED HOLE	NO. OF HOLES	BOLT CIRCLE DIA.	
		in	mm			in	mm
2"	PN 16	.71	18	M16 x 2.0-6H	4	4.92	125
3"	PN 16	.71	18	M16 x 2.0-6H	8	6.30	160
4"	PN 16	.71	18	M16 x 2.0-6H	8	7.09	180
6"	PN 16	.87	22	M20 x 2.5-6H	8	9.45	240
8"	PN 16	.87	22	M20 x 2.5-6H	12	11.61	295
10"	PN 16	1.02	26	M24 x 3.0-6H	12	13.98	355
12"	PN 16	1.02	26	M24 x 3.0-6H	12	16.14	410
14"	PN 16	1.02	26	M24 x 3.0-6H	16	18.50	470

THIS DRAWING EMBODIES A CONFIDENTIAL PROPRIETARY DESIGN ORIGINATED BY GROTH CORPORATION, AND ALL DESIGN, MANUFACTURING, REPRODUCTION, USE AND SALE RIGHTS, REGARDING THE SAME ARE EXPRESSLY RESERVED. IT IS SUBMITTED UNDER A CONFIDENTIAL RELATIONSHIP FOR A SPECIFIED PURPOSE, AND THE RECIPIENT AGREES BY ACCEPTING THIS DRAWING NOT TO SUPPLY OR DISCLOSE ANY INFORMATION REGARDING IT TO ANY UNAUTHORIZED PERSONS OR TO INCORPORATE IN OTHER PROJECTS ANY SPECIAL FEATURES PECULIAR TO THIS DESIGN. ALL PATENTS RIGHTS HERETO ARE EXPRESSLY RESERVED BY GROTH CORPORATION, 1202 HAHLO, HOUSTON, TEXAS 77020

REV.	DATE	BY	ECN NO.
A	08-22-01	ESQ	10276



GROTH CORPORATION
a Continental Disc Company

APPROVED BY:	CHECKED BY:	DWG. NO. : C-92526
DATE:	DATE:	DWN BY: ES QUINTERO

MODEL 1301A

BILL OF MATERIAL

ITEM	DESCRIPTION	STANDARD MATERIALS OF CONSTRUCTION			OPTIONAL FEATURES
		ALUMINUM <input type="checkbox"/>	CARBON STL <input type="checkbox"/>	316 SS <input type="checkbox"/>	
1	BODY	AL GR 356 T6	CS WCB	CF-8M (316 SS)	
2	BOLT, HEX	SS	SS	SS	
3	NUT, HEX	SS	SS	SS	
4	WASHER, LOCK	SS	SS	SS	
5	COVER	AL GR 356 T6	CS WCB	CF-8M (316 SS)	
6	* GASKET	NON-ASB	NON-ASB	NON-ASB	
7	SCREW, ADJUSTMENT	316 SS	316 SS	316 SS	
8	GASKET, CAP	SS	SS	SS	
9	CAP	CS	CS	316 SS	
10	NUT, HEX JAM	SS	SS	SS	
11	CHAMBER, SPRING	AL GR 356 T6	CS WCB	CF-8M (316 SS)	
12	STEM, VACUUM	316 SS	316 SS	316 SS	
13	BUTTON, SPRING	316 SS	316 SS	316 SS	
14	SPRING (1)	CS	CS	17-7 PH SS	
15	STUD	SS	SS	SS	
16	NUT, HEX	SS	SS	SS	
17	WASHER, LOCK	SS	SS	SS	
18	* GASKET	NON-ASB	NON-ASB	NON-ASB	
19	ROD, GUIDE	316 SS	316 SS	316 SS	
20	SCREEN (OPTIONAL)	SS	SS	SS	
21	NUT, HEX LOCK	SS	SS	SS	
22	PALLET, VACUUM	316 SS	316 SS	316 SS	
23	* DIAPHRAGM, VACUUM (2)	Teflon® FEP	Teflon® FEP	Teflon® FEP	
24	PLATE, RETAINER (VACUUM)	316 SS	316 SS	316 SS	
25	* O-RING, STEM (3)	VITON	VITON	VITON	
26	SEAT - INSERT (4) NOT SHOWN	OPTIONAL	316 SS	N/A	

* SPARE PARTS

(1) ALTERNATE SPRING MATERIALS: AL/CS UNITS - CHROME SILICON & 5160;
316 SS UNITS - 17-4 PH SS

(2) Teflon® is a registered trademark of E.I. du Pont de Nemours and Co. used under license.

(3) ELASTOMERS ALSO AVAILABLE IN AFLAS, BUNA-N, EPR & KALREZ

(4) OPTIONAL SEAT: AL UNITS - BONDED; CS UNITS - WELDED

DWG. NUMBER:
BOM NUMBER:

C-83775
83775bom.xls



a Continental Disc Company